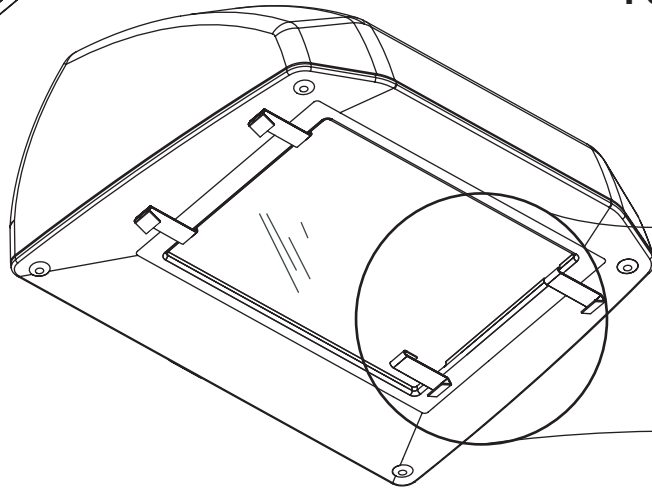
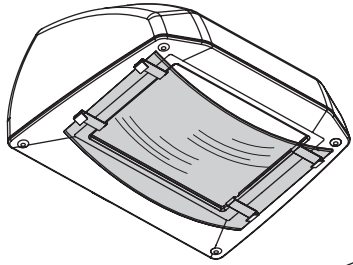


# FLOODPAK

## Lens Shield Installation

UN-59-02585-000

For face down use only



- ① Insert the 4 accessory clips into slots in lensframe. (Fig 1)

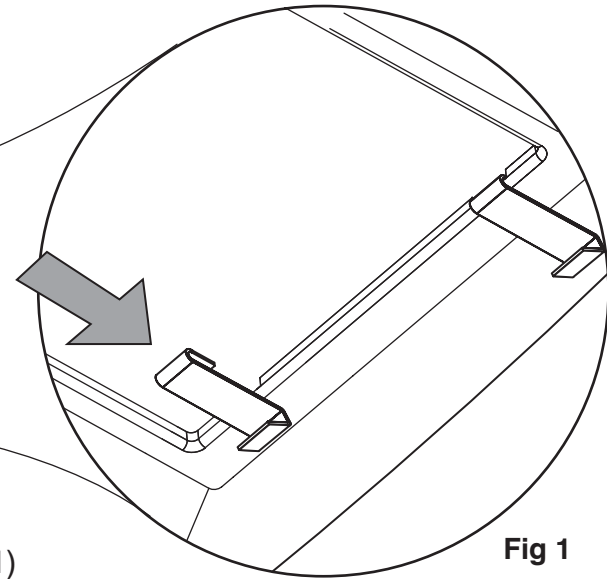


Fig 1

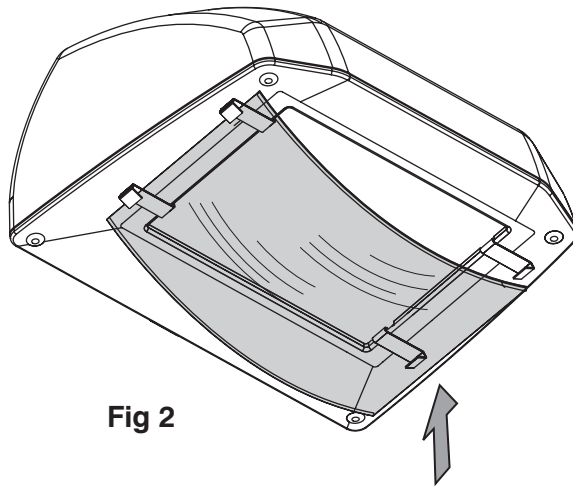


Fig 2

- ② After removing protective film from Lexan shield insert shield into clips. (Fig 2)

### FPL Fixtures

1. On FPL size fixtures the clip slots are located at the front and rear of the lensframe.
2. Install shield so curved cutout is facing the rear of the fixture.

