

INSTALLATION INSTRUCTIONS

Size 1, 2 and 3

This fixture must be installed by a qualified electrician

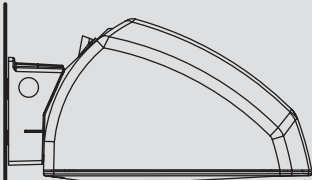
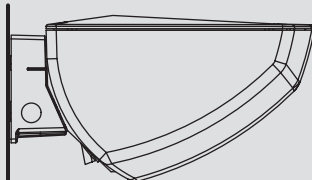
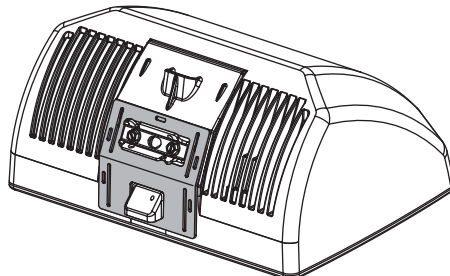
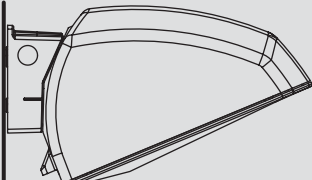
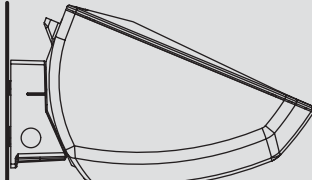
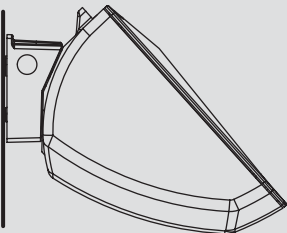
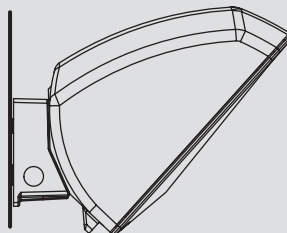


Wall-Mounting The Floodpak

1. Using matrix "Fig1 ①" Select desired fixture orientation.
2. Using matrix "Fig1 ②" locate required gasket position and apply gasket to housing.
3. Using matrix "Fig1 ③" locate required Mount Box orientation.

Fig 1

①

②

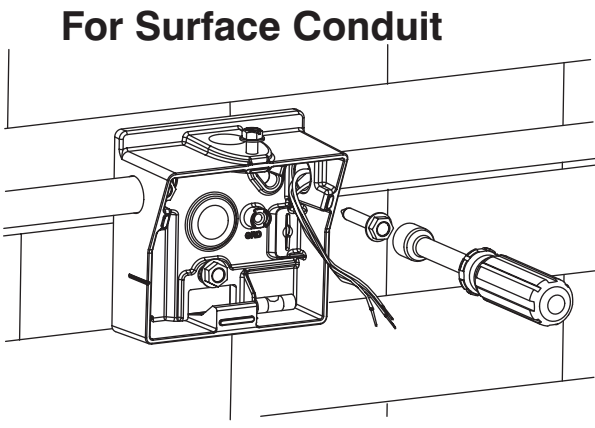
Fixture Orientation	 0° Down / Cutoff	 0° UP	 Gasket Position
	 22° Down/Semi-Cutoff	 22° UP	
	 45° UP	 45° Down / Flood	
 Upright	 Upside down	Mount Box Orientation	

③

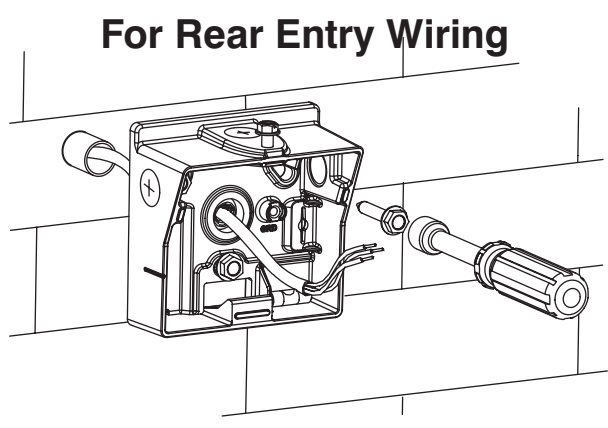
NOTICE: Fixture is listed under UL Standard #1598, for wet locations. It is not intended for use in car washes, hose down areas, or in direct contact with lawn sprinklers or roof runoff. In addition, this fixture should not be mounted in elevated ambient areas or areas that may entrap heat (i.e.- indoor pools, saunas, etc.).

Mounting The Floodpak

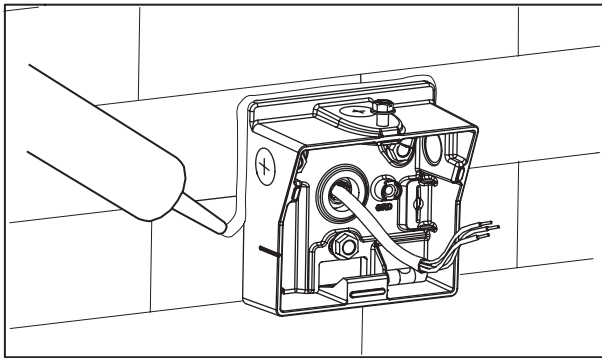
For Surface Conduit



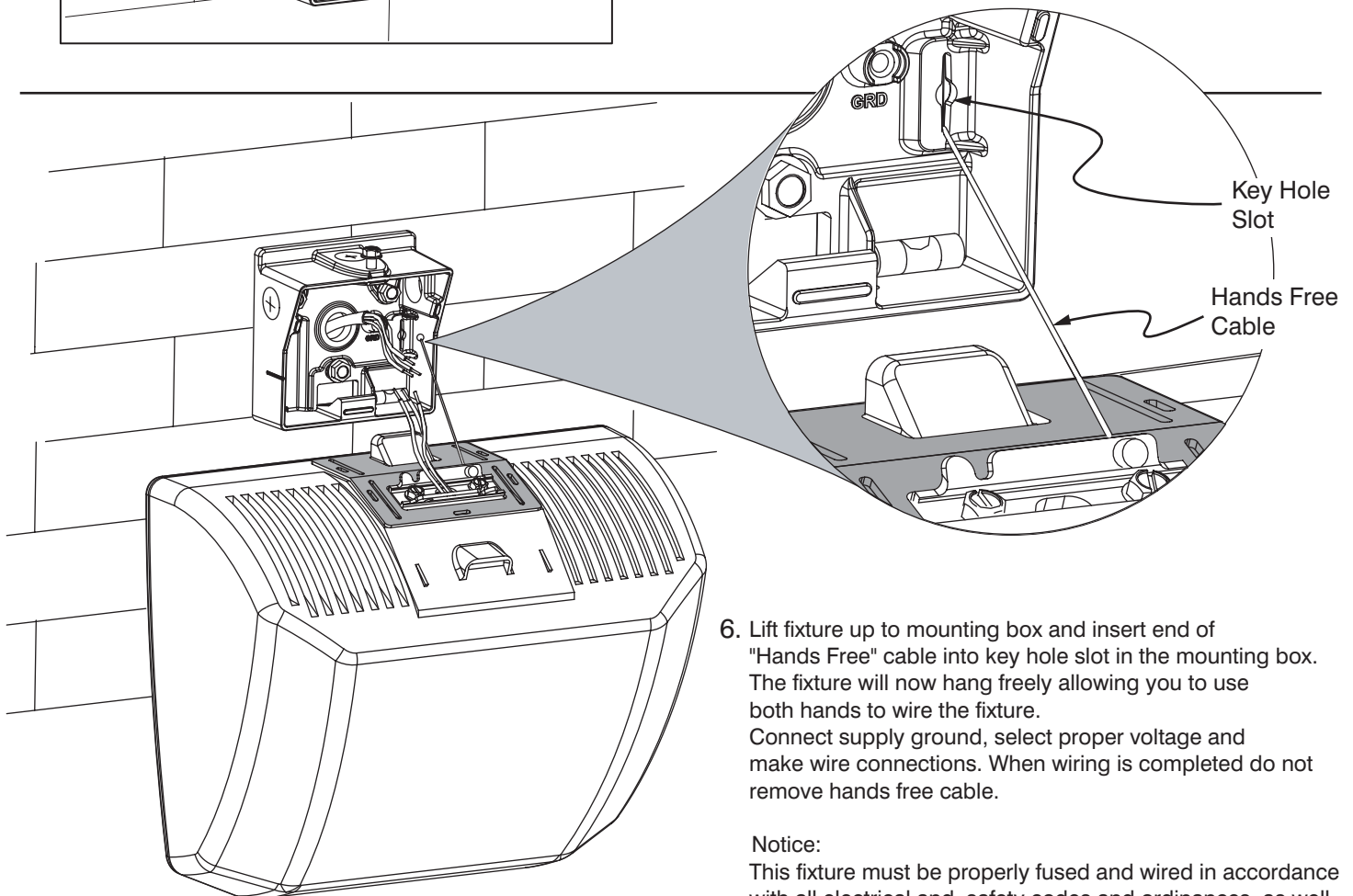
For Rear Entry Wiring



4. Securely attach mounting box to wall using appropriate anchors. Before tightening anchors, use integral bubble level to level box. Install and seal all necessary plugs (supplied) with pipe sealant to insure watertight integrity of fixture. Note that a junction box is not needed as the mounting box is approved for splicing.



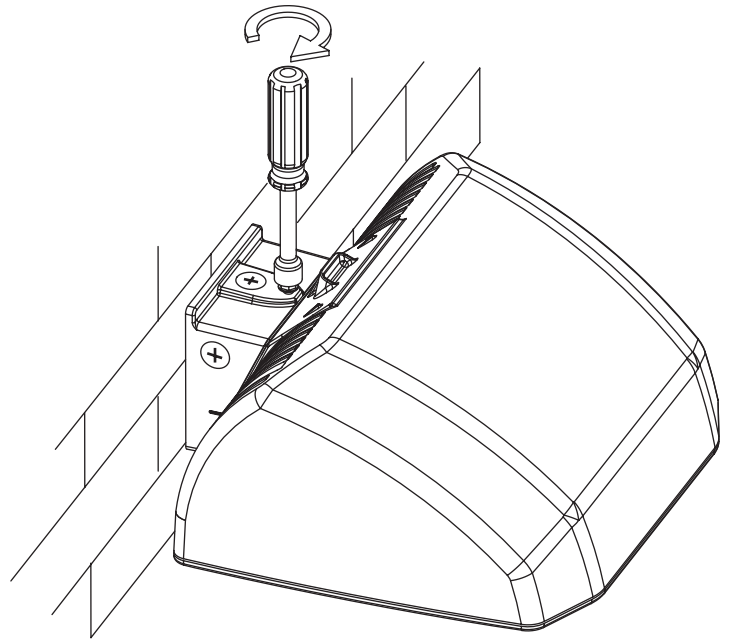
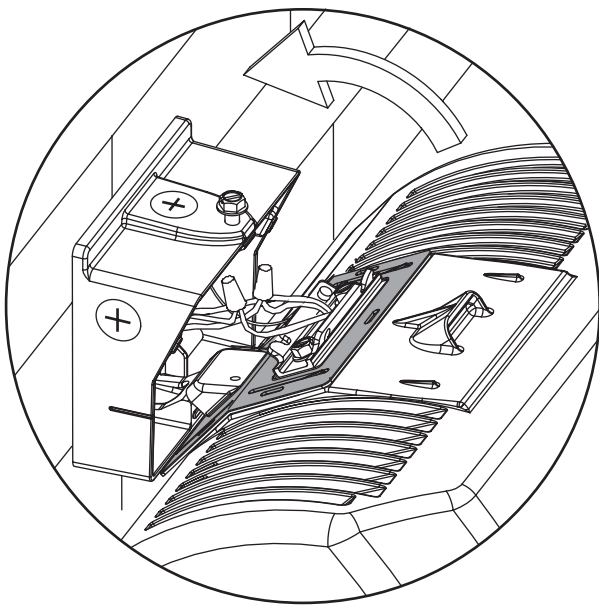
5. Apply silicone caulk in seam between wall and mounting box on top and both sides. Note: Do not place caulk on bottom seam.



6. Lift fixture up to mounting box and insert end of "Hands Free" cable into key hole slot in the mounting box. The fixture will now hang freely allowing you to use both hands to wire the fixture. Connect supply ground, select proper voltage and make wire connections. When wiring is completed do not remove hands free cable.

Notice:

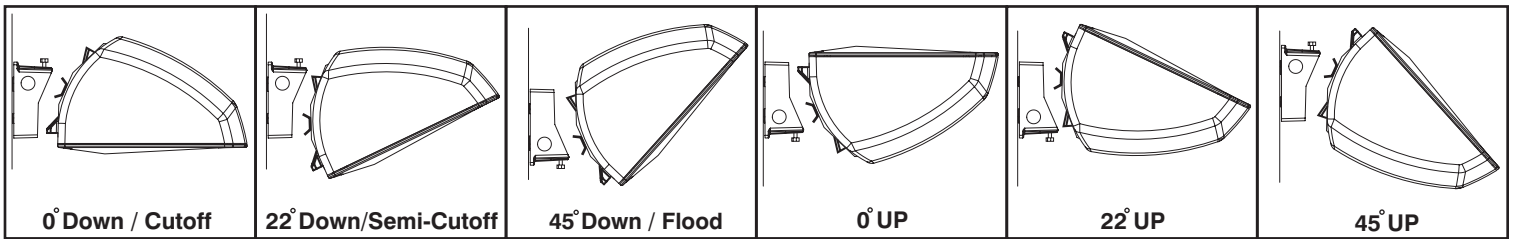
This fixture must be properly fused and wired in accordance with all electrical and safety codes and ordinances, as well as the most recent National Electric Code.



7. Lift fixture and locate desired housing foothold into mount box. Note that different fixture positions will use different footholds (see Fig 2). Tilt fixture towards mounting bolt ensuring all wires are tucked inside mounting box.

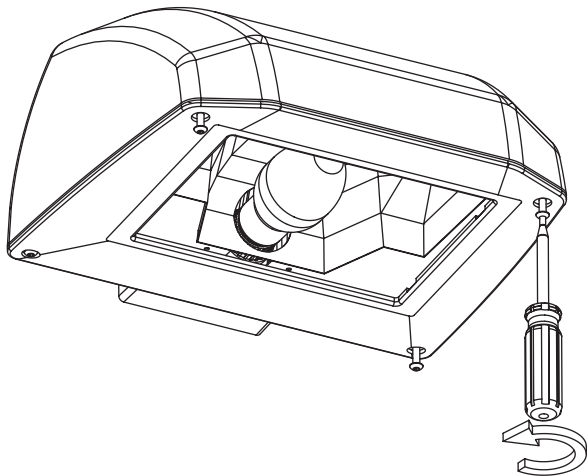
8. Holding fixture in place, tighten mounting bolt. (Do not over tighten)

Fig 2. Foothold Positions

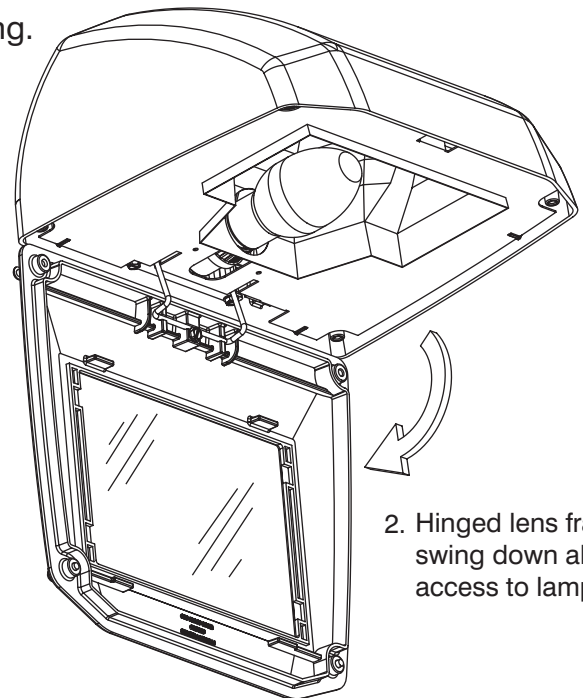


Lamping

CAUTION: Disconnect Power Before Lamping or Servicing.



1. Loosen captive screws (4) using 1/8" hex key. Note: Do not loosen screws beyond gasket.

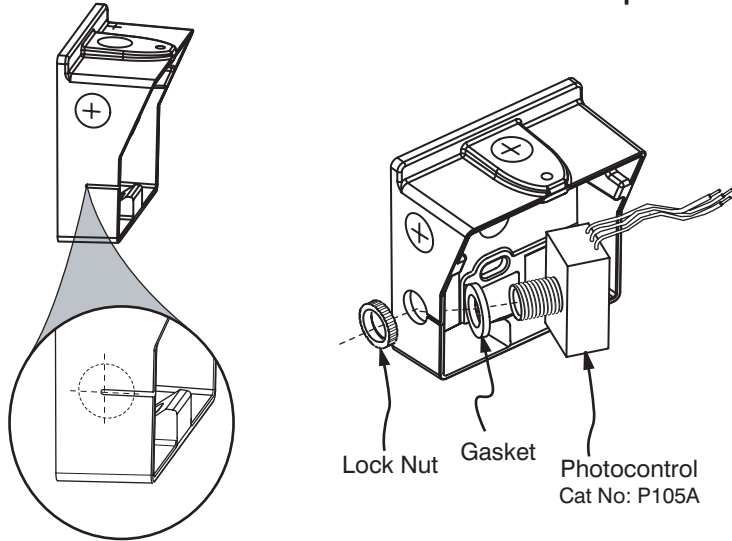


2. Hinged lens frame will swing down allowing access to lamp.

Ballast Access: To access ballast, remove lamp and reflector assembly.

Installation Instructions For Optional Stonco Button Photocontrol

Small & Medium Floodpak Box

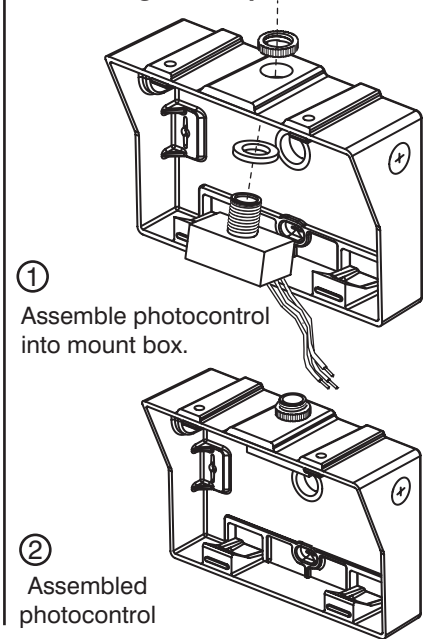


① Using guide slot drill a 11/16" dia hole.

② Assemble photocontrol into mount box.

③ Assembled photocontrol

Large Floodpak Box



① Assemble photocontrol into mount box.

② Assembled photocontrol

**Read instructions carefully before attempting to install fixture.
Retain instructions for future reference.**

GENERAL SAFETY INFORMATION

WARNING: Do not handle an energized fixture or energize any fixture with wet hands or when standing on a wet or damp surface, or in water.

External parts of fixture develop high operating temperatures. To avoid possible pain or injury, do not touch external parts of fixture when it is in operation. Turn off power and allow fixture to cool before touching for any reason.

1. This fixture must be properly fused and wired in accordance with all electrical and safety codes and ordinances, as well as the most recent National Electric Code.
2. This fixture must be adequately grounded for your protection against shock hazards and to assure proper operation.
3. All wiring should be performed by a qualified licensed electrician.
4. Make certain that the power source conforms to the requirements of this fixture.
5. Disconnect power before installing or servicing. If the power disconnect switch is out of sight, lock it in the open position and tag it to prevent unexpected application of power.

This fixture is intended to be used for general lighting in a normal open-air ambient. Do not install in dead air, sheltered, buried or boxed-in locations. This fixture should not be installed in areas that will entrap heat. It is not intended to be used in potentially dangerous locations such as flammable or explosive atmospheres. Not for use in car washes.

Failure to follow above safety instructions could result in fatal shock or fire hazards.

7. This fixture is intended for wallmounting. Fixture may be knuckle, pole or yoke mounted with approved fittings and accessories.

INSTALLATION

8. **WARNING:** Make sure that all power is turned off while installing unit. Do not turn power on until fixture is completely installed. Turn power off at circuit breaker box. Refer to appropriate Section.

Operation

Switch unit "on" using circuit breaker controlling unit.

Maintenance

Periodically check and remove any accumulated dirt or debris from the lens and around fixture.

Troubleshooting Guide

Symptoms	Possible Cause(s)	Corrective Action
Lamp does not light	1. No power to unit.	1. Check circuit protection device (circuit breaker, fuse or switch).
	2. Loose lamp connection	2. Remove lamp, clean contacts and tighten in socket.
	3. Burned out lamp	3. Replace
	4. Loose wiring	4. Recheck wiring connections

with power off

LIMITED FIVE YEAR WARRANTY

Stonco warrants its products against defects in material and workmanship. Without charge, will either repair or replace (Stonco reserves the right to decide between repair and replacement) any properly installed Stonco product which fails under normal operating conditions within FIVE YEARS from date of shipment, provided it is returned to the factory, transportation prepaid, and our inspection determines it to be defective under terms of this warranty. This warranty extends to any standard finish that we furnish on our fixtures under normal use, provided that the conditions stated previously are met.

This warranty covers only equipment manufactured by Stonco and does not extend to transportation, installation or replacement charges; nor does it apply to any other equipment of another manufacturer used in conjunction with Stonco equipment. No other warranty, expressed or implied, exists beyond that included in this statement.

Lamps that are included in Stonco lighting fixtures are covered by lamp manufacturers' warranty.

Ballasts and related components that are included in Stonco lighting fixtures are covered by the ballast manufacturers' warranty.



2345 Vauxhall Road, Union, NJ 07083

Tel: 800-334-2212 Fax: 908-688-1388 Web Site: www.Stonco.com

UN-59-02553-000 revB