

# FLOODPAK

## Hands Free Cable Installation



- ① Select desired mounting position, Fig 1 or Fig 2.

Fig 1

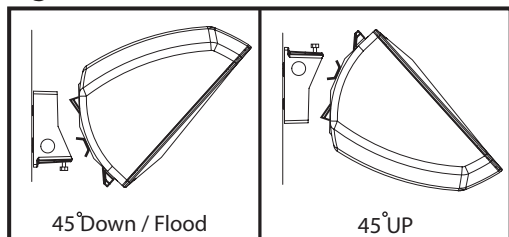
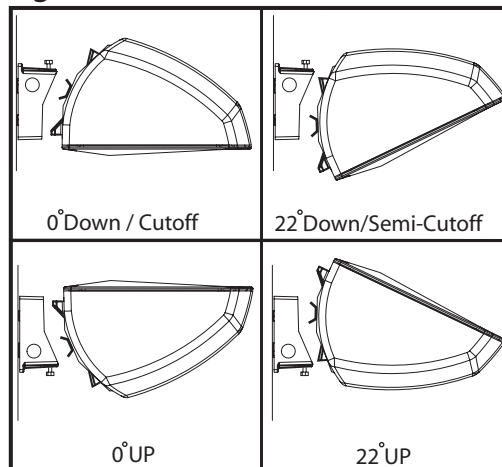
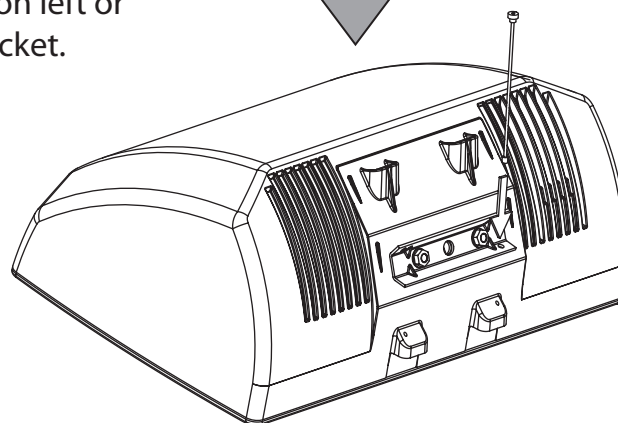
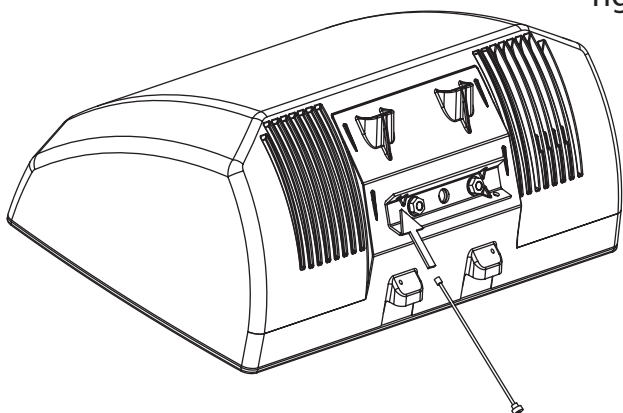


Fig 2



- ② Locate appropriate cable mounting hole on left or right side of bracket.



- ③ Thread cable through appropriate hole. Note: the largest end of the cable must be on the inside of the bracket.

