

FLOODPAK



Pole Mount Installation

UN-59-02587-000 RevA

This fitting & fixture must be installed by a qualified electrician

1 Mounting Hardware

Note: Only required hardware is supplied with fixture.

- (A) # 10/24 x 0.25"
- (B) # 5/16-18 x 3/8" Nylon Set Screw
- (C) # 5/16-18 x 5/8" Set Screw
- (D) # 5/16-18 x 5/8"
- (E) # 1/4-20 x 1.125"
- (F) # 3/8-16 x 1.25"
- (G) # 3/8 Lock Washer"
- (H) # 5/16 Lock Washer"
- (I) Washer
(Actual Size)

2

	①		③	
Fixture Orientation	①	②	③	Set Screw Orientation
	0° Down / Cutoff	0° UP	(B) (C)	
	22° Down/Semi-Cutoff	22° UP	(C) (B)	
45° UP	45° Down / Flood			
②	Upright	Upside down	Fig 1	
Mount Box & Pole Arm Orientation				

1. Using matrix "Fig1" section ① select desired fixture orientation.
2. Using matrix "Fig1" section ② locate required Mount Box orientation.

3

a

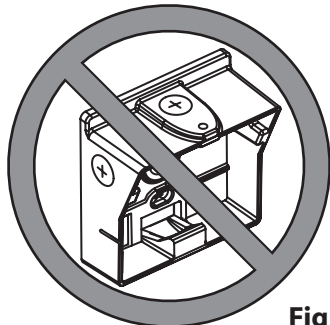


Fig 2

The mounting box that comes in the box with the fixture is not used in a pole mount installation. (Fig 2)

3

b

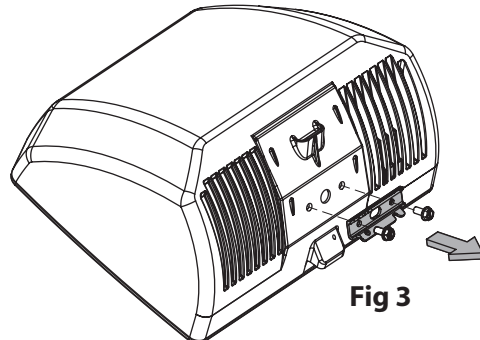
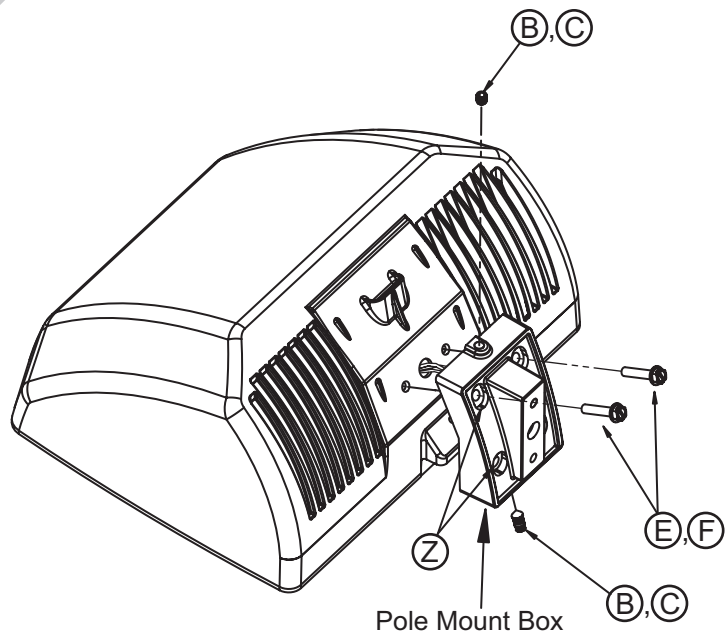


Fig 3

Remove and discard bolts and mounting bracket from the rear of the housing. These are not used in a pole mount installation. (Fig 3)

4 Mount box Installation



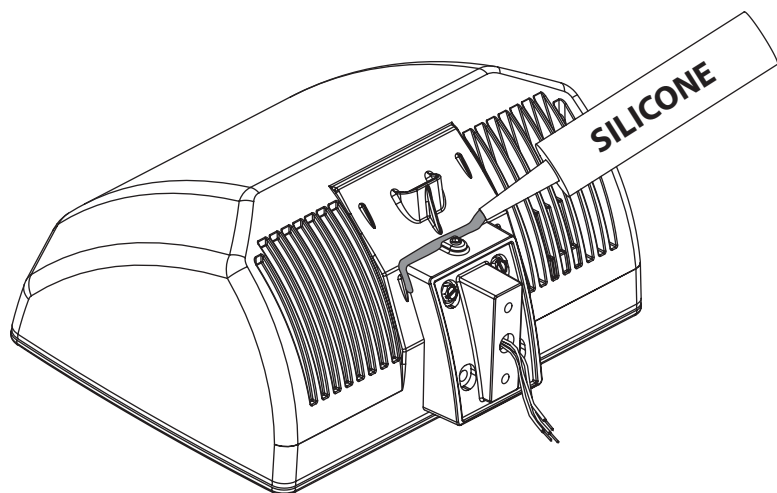
Install mount box supplied with pole mount kit in position determined by chart "Fig 1 Section ①". Ensure wires are threaded through center hole. On FPS or FPM fixtures tighten the 1/4-20 x 1.125" bolts (E) to 55-65 In lbs. On FPL fixtures tighten the 3/8-16 x 1.25" bolts (F) to 180-200 In lbs .

Note: depending on mounting position bolts will use either upper or lower holes only (Z).

Using chart "Fig 1 Section ③" determine installation orientation for set screws B and C.

Note: Install Set screws B so head is flush with surface of mount box.

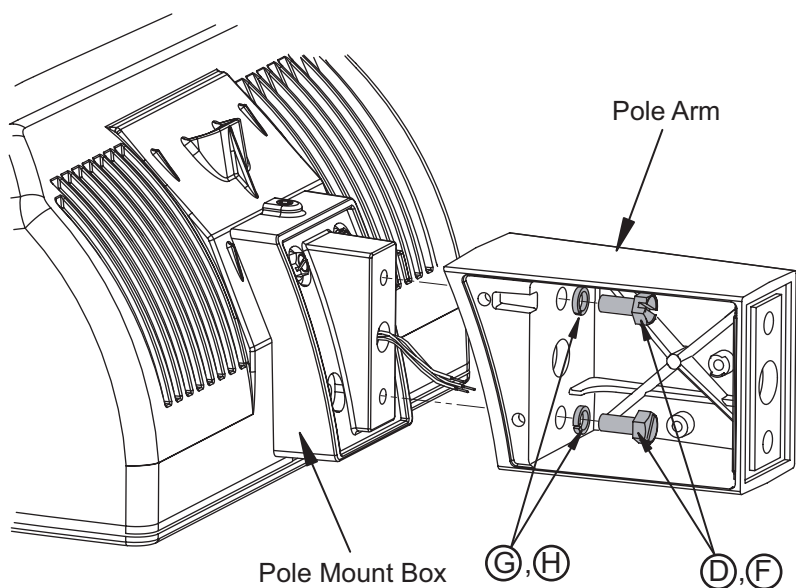
5



Apply a bead of caulk (supplied) along the top edge between the mount box and fixture. Extend the bead of caulk approx 0.5" down each side.

Note: The top edge is the edge that will face the sky after installation.

6



Attach pole arm to pole mount box with supplied bolts (D) or (F) and washers (G) or (H).

Ensure wires are threaded through center hole. On FPS fixtures tighten the 5/16-18 x 5/8" bolts (D) to 55-65 In lbs. On FPL fixtures tighten the 3/8-16 x 1.25" bolts (F) to 180-200 In lbs .

Use washer (G) in all assemblies.

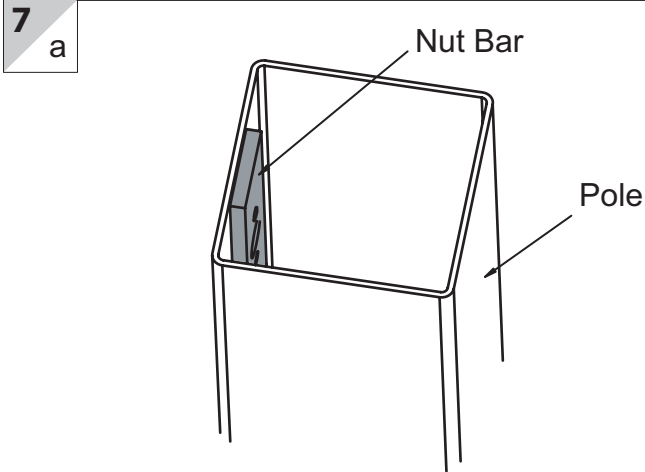
Mounting fixture to pole

Use supplied drill template to drill holes in pole (fig 4).

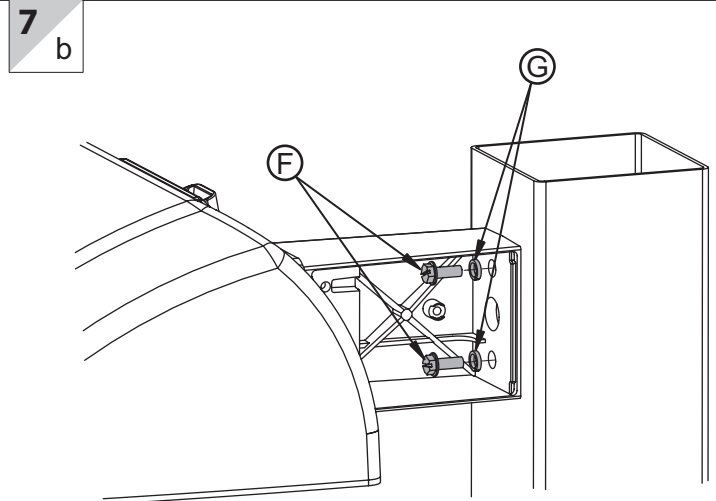
If mounting FPS or FPM fixtures use section 7.

If mounting FPL fixtures use sections 8.

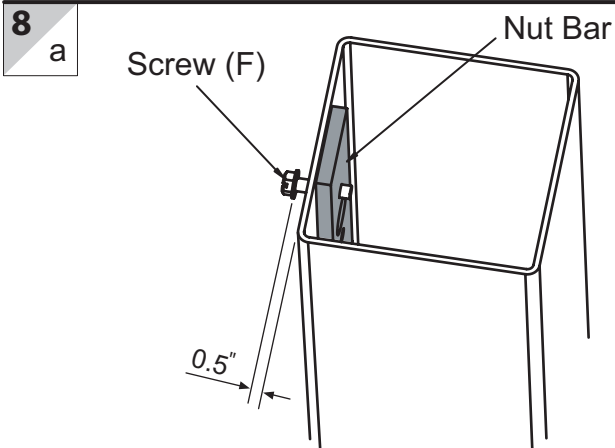
When fixture is being mounted to a 4" round pole use optional adaptors Part # FPSRPA for FPS and FPM fixtures and Part # for FPL fixtures.



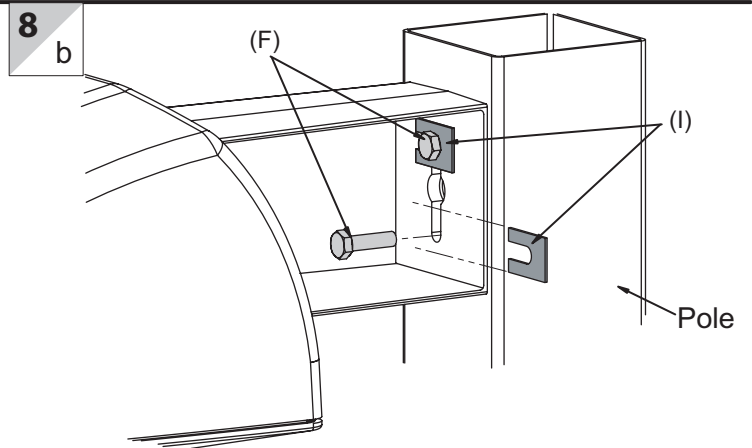
Remove backing from adhesive on nut bar and insert into top of pole. Carefully align holes in bar to predrilled holes in pole.



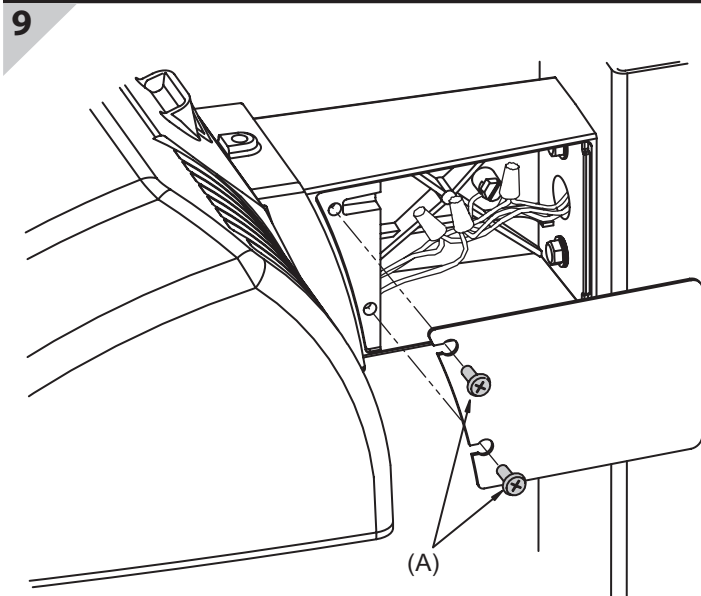
Secure fixture assembly to pole using two 3/8-16 x 1.25" bolts (F) and washers (G). Torque bolts to 180-200in Lbs.



Remove backing from adhesive on nut bar and insert into top of pole. Insert one 3/8-16 x 1.25" bolt into the top hole, leave 0.5" of the thread exposed.



Using keyhole feature hang fixture onto pole. Insert washers (H) and secure fixture assembly to pole using 3/8-16 x 1.25" bolts (F). Torque bolts to 180-200in Lbs.



Connect supply ground, select proper voltage and make wire connections.
Attach cover using two 10/24 x .25" screws(A).

Notice:
This fixture must be properly fused and wired in accordance with all electrical and safety codes and ordinances, as well as the most recent National Electric Code.

Installation Instructions For Optional Stonco Button Photo control

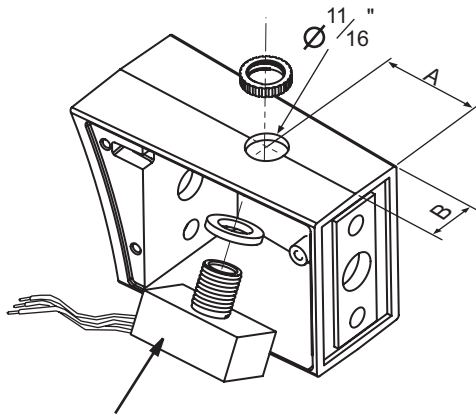
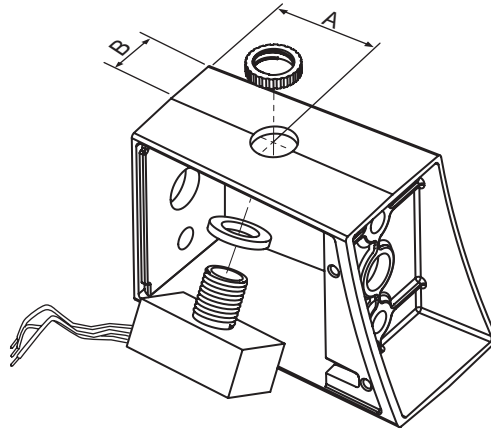


Photo control Cat No: P105A

0 and 22 degree mounting



45 degree mounting

	A	B
FPS	2.0"	1.06"
FPM	2.0"	1.06"
FPL	3.9"	1.60"

Fig 4

1. Establish fixture mounting orientation, 0°, 22° or 45°.
2. Using dimensions from chart Fig 4 drill a 11/16" dia hole.
3. Assemble photo control into pole arm.

For lamping instructions, Troubleshooting guide and Warranty info see instruction sheet supplied inside fixture box.

NOTICE: Fixture is listed under UL Standard #1598, for wet locations. It is not intended for use in car washes, hose down areas, or in direct contact with lawn sprinklers or roof runoff. In addition, this fixture should not be mounted in elevated ambient areas or areas that may entrap heat or restrict air flow around the fixture (i.e.- indoor pools, saunas, etc).

Read instructions carefully before attempting to install fixture.
Retain instructions for future reference.

GENERAL SAFETY INFORMATION

1. **WARNING:** Do not handle an energized fixture or energize any fixture with wet hands or when standing on a wet or damp surface, or in water.
2. External parts of fixture develop high operating temperatures. To avoid possible pain or injury, do not touch external parts of fixture when it is in operation. Turn off power and allow fixture to cool before touching for any reason.
3. This fixture must be properly fused and wired in accordance with all electrical and safety codes and ordinances, as well as the most recent National Electric Code.
4. This fixture must be adequately grounded for your protection against shock hazards and to assure proper operation.
5. All wiring should be performed by a qualified licensed electrician.
6. Make certain that the power source conforms to the requirements of this fixture.
7. Disconnect power before installing or servicing. If the power disconnect switch is out of sight, lock it in the open position and tag it to prevent unexpected application of power.
8. This fixture is intended to be used for general lighting in a normal open-air ambient. Do not install in dead air, sheltered, buried or boxed-in locations. This fixture should not be installed in areas that will entrap heat. It is not intended to be used in potentially dangerous locations such as flammable or explosive atmospheres. Not for use in car washes.
9. Failure to follow above safety instructions could result in fatal shock or fire hazards.
10. This fixture is intended for wall mounting. Fixture may be knuckle, pole or yoke mounted with approved fittings and accessories.
11. **WARNING:** Make sure that all power is turned off while installing unit. Do not turn power on until fixture is completely installed. Turn power off at circuit breaker box. Refer to appropriate Section.

Operation

Switch unit "on" using circuit breaker controlling unit. (Switch rated)

Maintenance

Periodically check and remove any accumulated dirt or debris from the lens and around fixture.

Pole drill template (fig 4).

